

## 2MP Network IR Bullet Camera with fix lens and input audio and I/O

### ADK-222ER



## Key Features

### Optics

- Day/night functionality
- Lowlight surveillance
- 3D DNR (Digital Noise Reduction)
- Optical glass window with higher light transmittance
- IR anti-reflection window to increase the infrared transmittance

### Compression

- Triple streams
- ROI (Region of Interest)
- 9:16 corridor mode
- Customized OSD

### Network

- ONVIF Conformance

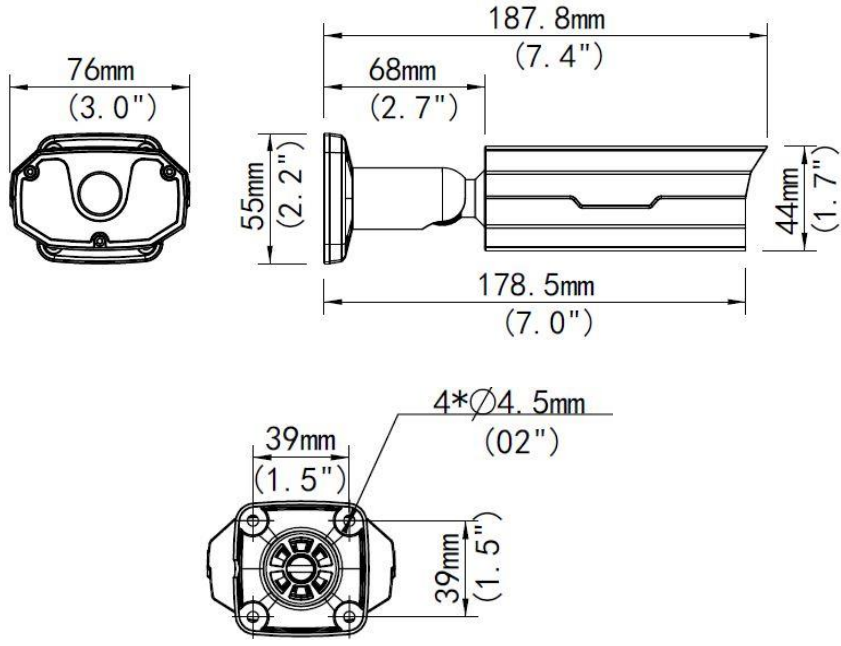
### Structure

- Support PoE power supply
- Wide temperature range: -35°C to 60°C (-31°F to 140°F)
- Wide voltage range of  $\pm 25\%$
- IP66

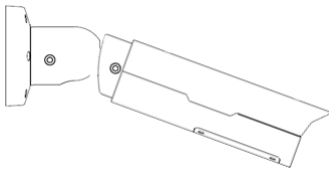
## Specifications

	ADK-222ER
<b>Camera</b>	
Sensor	1/2.8", 2 Megapixel, progressive scan CMOS
Shutter	Auto/Manual, 1/6~1/8000 s
Lens	3.6mm@F1.8; Angle of View (H): 85°
Day/Night	IR-cut filter with auto switch (ICR)
Min. Illumination	Colour: 0.06 Lux (F1.8, 50IRE) Black & White: 0.03Lux (F1.8, 50IRE)
S/N	>52dB
Image Rotation	Supported
<b>Video</b>	
Max. Resolution	1920 × 1080
Video Compression	H.264,MJPEG
Frame Rate	1080P (1920*1080) 30 fps; 720P (1280*720) 30 fps; D1 (720*576) 25 fps
9:16 Corridor Mode	Supported
ROI(Region of Interest)	Supported
Video Streaming	Triple
OSD	Up to 8 OSDs
Privacy Mask	Up to 4 areas
<b>Audio</b>	
Audio Compression	G.711
Two-way audio	Supported
<b>Network</b>	
Protocols	L2TP,IPv4,IGMP,ICMP,ARP,TCP,UDP,DHCP,PPPoE,RTP,RTSP,Qos,NTP,FTP,HTTP,SNMP,SIP
Compatible Integration	ONVIF, IMOS,API
<b>Interface</b>	
Audio I/O	Audio cable
	Input: impedance 35 kΩ; amplitude 2 V [p-p]
	Output: impedance 600 Ω; amplitude 2 V [p-p]
Alarm I/O	1 / 1
Network	10M/100M Base-TX Ethernet
<b>General</b>	
Power	12 V DC or PoE (IEEE802.3 af)
	Power consumption: 3.5 W (7.5W with IR on)
Dimensions (L × W × H)	187.8 × 76 × 44 mm (7.4" × 3.0" × 1.7")
Weight	0.58 kg (1.28 lb)
Working Environment	-35°C ~ +60°C (-31°F ~ 140°F), Humidity ≤ 90% RH(non-condensing)
Ingress Protection	IP66

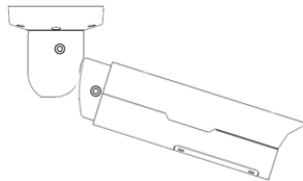
## Dimensions



## Installation



Wall mount



Ceiling mount

## Accessories

Installation mode	Accessories	Description
Wall mount	Mounting pedestal is included in the Product package	\
Ceiling mount	Mounting pedestal is included in the Product package	\