

2MP Vandal-resistant IR Fixed Mini Dome Camera With Built in Mic

ADK-312SR



Key Features

Optics

- Day/night functionality
- Smart IR, up to 15 m (49 ft) IR distance
- 3D DNR (Digital Noise Reduction)

Compression

- Triple streams
- ROI (Region of Interest)
- Customized OSD

Network

- ONVIF Conformance

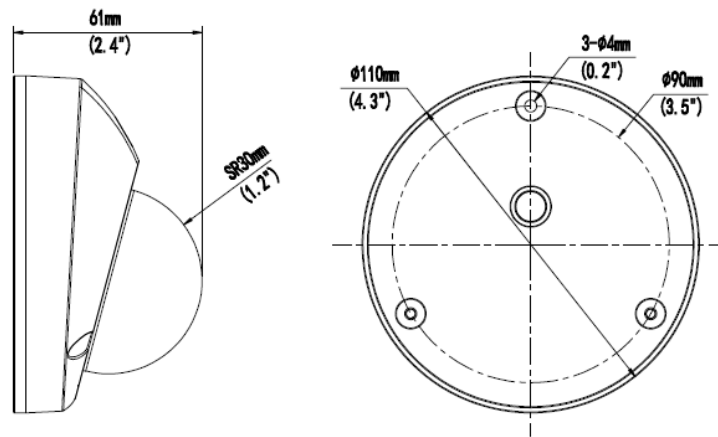
Structure

- Wide temperature range: -35°C to 60°C (-31°F to 140°F)
- Wide voltage range of $\pm 25\%$
- IK10 vandal resistant
- IP66

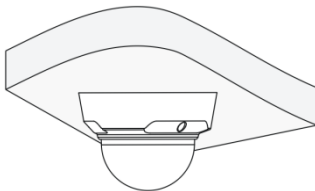
Specifications

	ADK-312SR(28)	ADK-312SR(36)
Camera		
Sensor	1/2.8", 2 megapixel, progressive scan CMOS	
Shutter	Auto/Manual, 1/6~1/8000 s	
Lens	2.8mm	3.6 mm
Angle of View (H)	115°	94°
Day/Night	IR-cut filter with auto switch (ICR)	
Min. Illumination	Colour: 0.02 Lux (F2.0, AGC ON) 0 Lux with IR	
S/N	≥52dB	
Video		
Max. Resolution	1920 × 1080	
Video Compression	H.264, MJPEG	
Frame Rate	1080P (1920*1080): Max. 30 fps; 720P (1280*720): Max. 30 fps; D1 (720*576): Max. 25 fps	
9:16 Corridor Mode	Supported	
ROI	Supported	
Video Streaming	Triple	
OSD	Up to 8 OSDs	
Privacy Mask	Up to 4 areas	
Storage		
Edge Storage	Micro SD, Up to 128 GB	
Network		
Protocols	L2TP,IPv4,IGMP,ICMP,ARP,TCP,UDP,DHCP,PPPoE,RTP,RTSP,Qos,NTP,FTP,HTTP,SNMP,SIP	
Compatible Integration	ONVIF, API	
Interface		
Audio I/O	audio cable	
	Input: impedance 35 kΩ; amplitude 2 V [p-p]	
	Output: impedance 600 Ω; amplitude 2 V [p-p]	
Built-in Mic	Supported	
Network	10M/100M Base-TX Ethernet	
General		
Power	12 V DC±25%, PoE (IEEE 802.3af)	
	Power consumption:3.5W (5.5W with IR on)	
Dimensions (∅ x H)	∅110 x 61 mm (∅4.3" x 2.4")	
Weight	0.25 kg (0.55 lb)	
Working Environment	-35°C ~ +60°C (-31°F ~ 140°F), Humidity ≤ 90% RH(non-condensing)	
Vandal Resistant	IK10	
Ingress Protection	IP66	

Dimensions



Installation



Ceiling mount

WWW.ADKSECURITY.NET