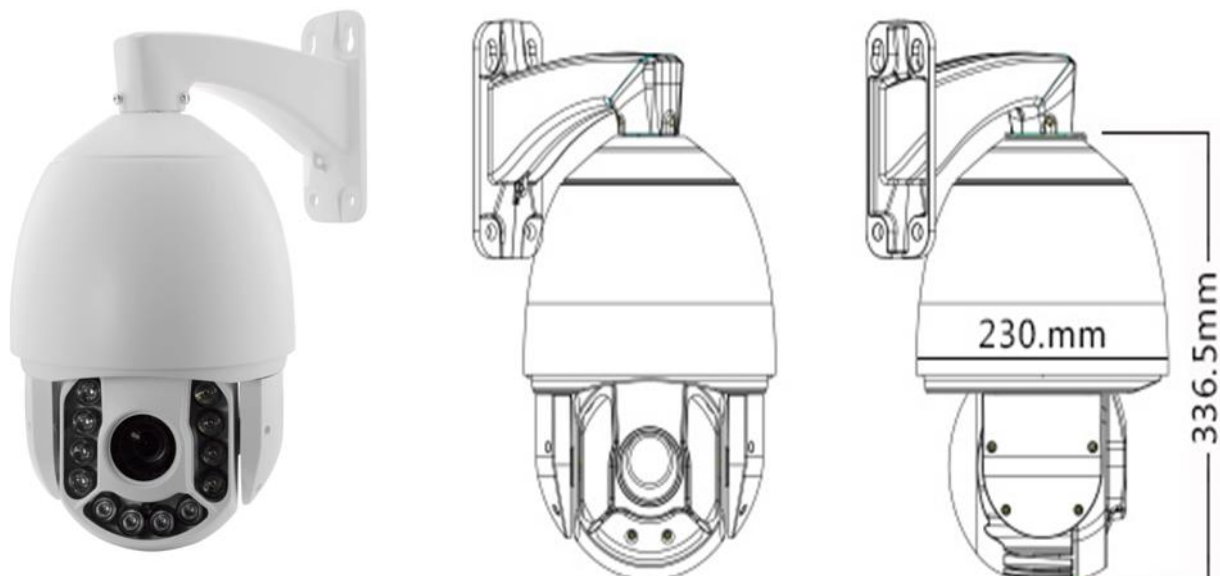


ADK-SI2M18XN NETWORK PTZ DOME CAMERA 1080P  
18X



Pan & Tilt	
Manual speed	Pan (0.1°~200°/s)
	Tilt (0.1°~180°/s)
Rotation	Pan continuously 360°, tilt 0~90° with auto-flip
Preset	128 preset, title can be edited
Auto-flip	Tilt down 90°, with auto-flip 180°
Scan	355°programmable, 4 scan
Pattern	4 patterns, and each record time is not less than 180s
Tour	4 tour, and speed & park time of presets can be set.
Idle run	tour/preset/pattern/scan can be set
Power up run	tour/preset/pattern/scan can be set
Proportional Zoom	Rotation speed can be adjusted automatically according to zoom multiples

CAM SPEC	
sensor	HIS3516C+1/2.9"Sony IMX323

Effective Pixels	1920(H)x1080(V)
Image Output	Main Stream:1920x1080、1280x960、1280x720、720x576、640x480
	Sub Stream: 640x480、480x360、352x288、320x240、176x144
	MJPEG: 1080P、1280x720、off
Signal System	PAL/NTSC
Frame	25/30 fps
Image Compression	H.264 / MJPEG
OPTICS	Optical x18, f =5.3 mm ~ 96.3 mm
Angle	Appr. 64.1°(Wide) to 3.6°(Tele)
Auto Focus	Auto / Semi-automatic / Manual
Zoom Speed	Approx.4.0s(Optical Wide-Tele)
Min. Illumination	Color : 0.05 lux , BW : 0.01lux
Shutter Time	1/2 ~1/20,000s
SNR	≥50dB (AGC OFF)
White Balance	Auto
AGC	Auto/Manua
BLC	ON/OFF
WDR	D-WDR ≥73.7dB
DNR	Auto /DNR/3DNR
HLC	Off / On
Max Gain	Auto
IRIS	Auto
FLIP	Vertical , Horizontal ,Vertical-Horizontal,OFF Selectable
Privacy	Support
Motion Detection	Support

<b>IR</b>	
IR irradiation distance	150m
IR irradiation angle	Adjustable by zoom
ICR	Manual/Auto

<b>Network</b>	
Ethernet	10Base -T, /100Base-TX, RJ45 Connector
Protocols	TCP/IP, HTTP, NTP, IGMP, DHCP, UDP, SMTP, RTP, RTSP, ARP, DDNS , DNS, P2P
Security Measures	User authentication (ID and PW), Host authentication (MAC address) IP address filtering
Onvif	Onvif 2.4 Ver.
User Sessions	Main Stream 3      Sub Stream 6

Output bit rate	CBR / VBR (32Kbps~10Mbps)
Characters overlap	Channel Names&Date and Time (Location is adjustable)
The front store	T-flash card (adapting)
Power consumption	9W/35W(IR_LED ON)
Power supply	DC 24V 2A
Temperature	-20°C ~ +60°C
Installation	Wall installation, ceiling installation, ceiling type installation
Net weight	6.5kg
Size	Product size 336.5×230mm, Packing size Packing size 235*235*460mm
Protection Level:	IP66 standard (outdoor dome)
	TVS lightning protection, surge protection and voltage transient protection